

**AGENDA (Special Meeting)**  
**WILSON BREWER HISTORIC PARK COMMITTEE MEETING**  
**CITY HALL COUNCIL CHAMBERS**  
**WEBSTER CITY, IOWA**  
**TUESDAY, October 29, 2019 – 9:00 a.m.**

**ROLL CALL**

**Approval of Agenda**

**A. PETITIONS – COMMUNICATIONS – REQUESTS**

This is the time that a citizen may address the Wilson Brewer Historic Park Committee on a matter not on the Agenda (no more than 5 minutes per person). Except in cases of emergency, the Wilson Brewer Historic Park Committee will not take any action at this meeting, but may ask the City Staff to research the matter or have the matter placed on the Agenda for the next meeting.

1. Public Information

**B. GENERAL AGENDA**

1. Motion on Final Committee Approval on Lighting for the Cabins.
2. Motion on Final Committee Recommendation to City Council on Grounds-Site Plan

and any other matters that may come before the Committee.

**C. ADJOURNMENT**

Next Meeting  
Tuesday, November 19, 2019 at 9:00 a.m.

**From:** Wayne Schlotfeldt  
**Sent:** Wednesday, October 23, 2019 3:29 PM  
**To:** Gary Groves  
**Subject:** Cabin Electric

Gary

These are the most current prints of the lighting for the cabins that I have. They are modified to take into account the comments from our last meeting.

I spoke to and forwarded these to Phil Grossman and we discussed the delays that are happening to him because of the added electrical and lighting.

Wayne

--

Wayne Schlotfeldt P.E.  
Schlotfeldt Engineering, Inc.

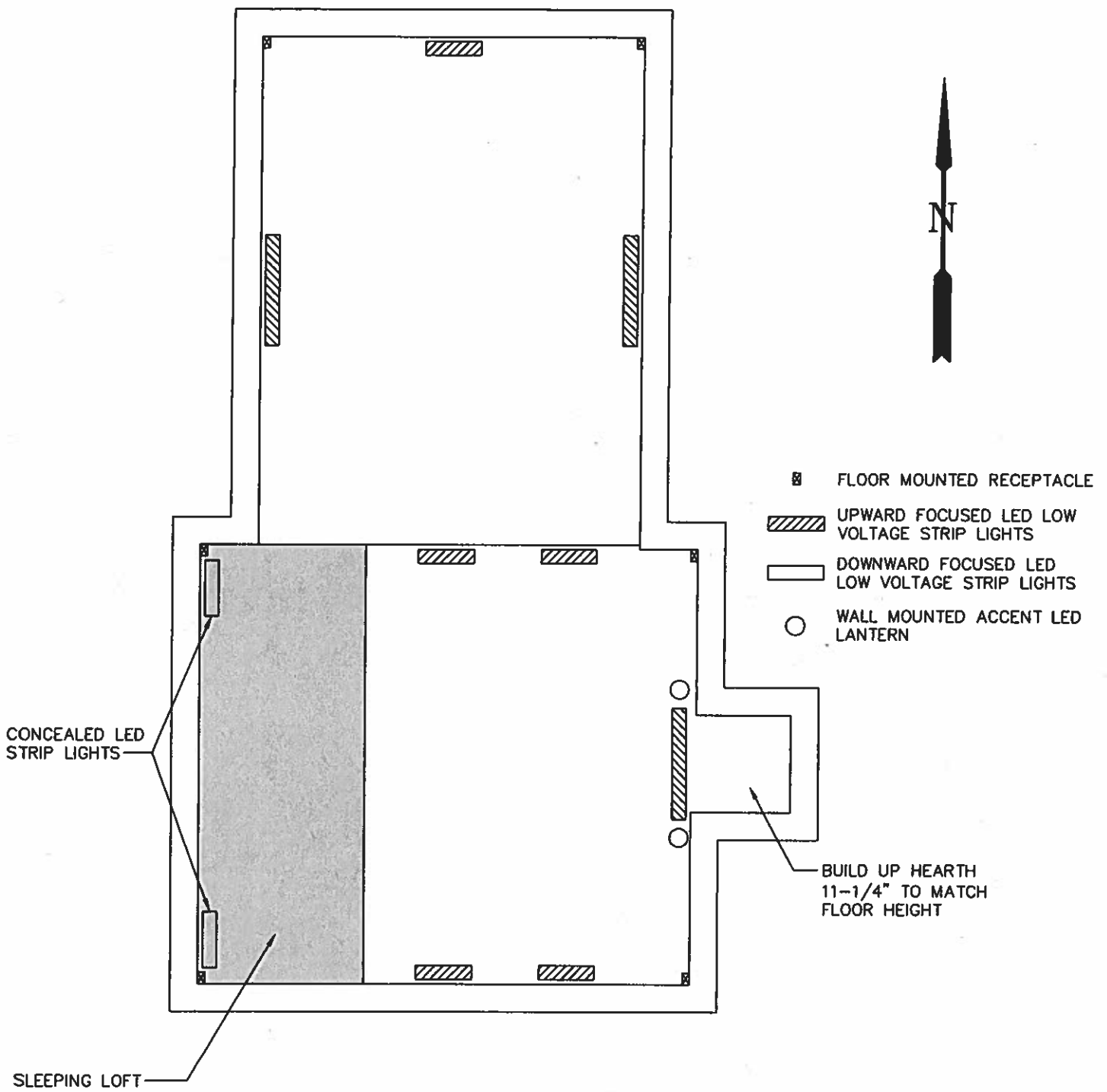
----- Forwarded Message -----

**From:** "Jason Schmidt" <[jason@schlotfeldt.com](mailto:jason@schlotfeldt.com)>  
**To:** "Wayne Schlotfeldt" <[wayne.schlotfeldt@yahoo.com](mailto:wayne.schlotfeldt@yahoo.com)>  
**Sent:** Mon, Oct 21, 2019 at 2:19 PM  
**Subject:** Cabin Electric

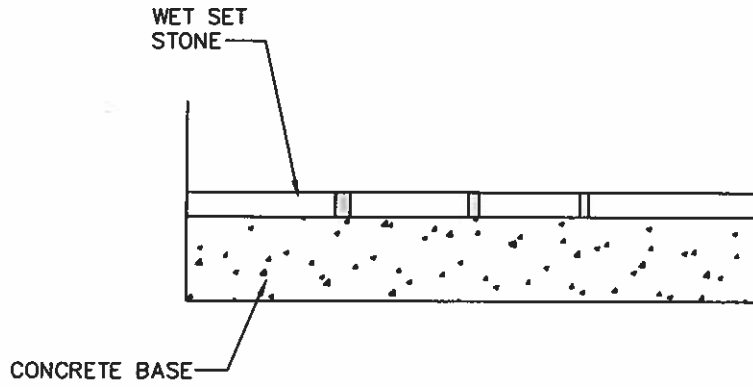
--

**Jason Schmidt**

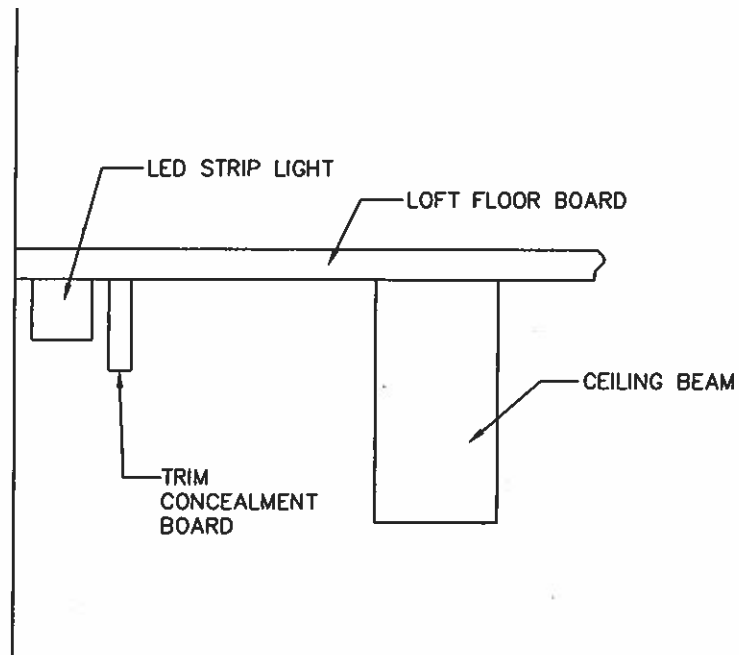
**Schlotfeldt Engineering, Inc.**  
1440 Second Street  
PO Box 220  
Webster City, IA 50595  
[www.schlotfeldt.com](http://www.schlotfeldt.com)  
office: 515.832.2471 cell: 515.297.3653  
fax: 515.832.1609



**BREWER/GROVES ELECTRIC PLAN**

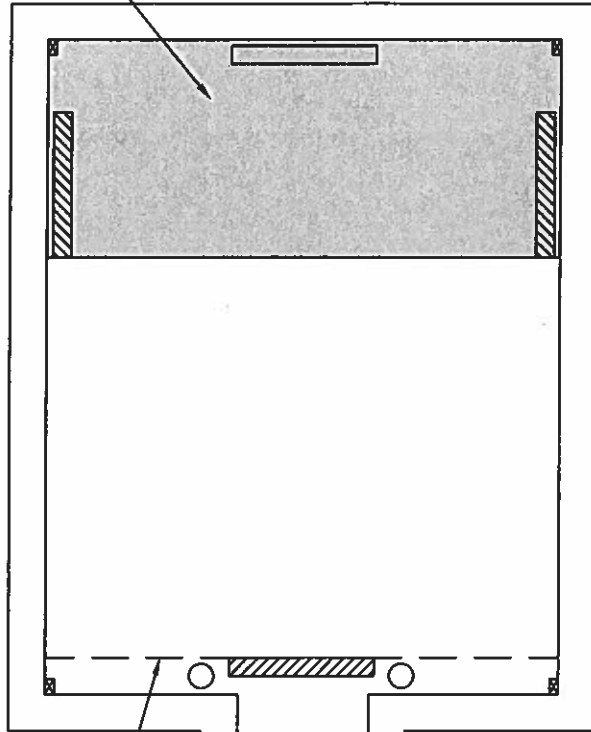


HEARTH BUILD UP



CONCEALED LIGHT DETAIL





SLEEPING LOFT



CEILING JOIST  
LOCATION

BUILD UP HEARTH  
6-1/2" TO MATCH  
FLOOR HEIGHT



-  FLOOR MOUNTED RECEPTACLE
-  UPWARD FOCUSED LED LOW VOLTAGE STRIP LIGHTS
-  DOWNWARD FOCUSED LED LOW VOLTAGE STRIP LIGHTS
-  WALL MOUNTED ACCENT LED LANTERN

JAMESON ELECTRIC PLAN